

Compatible with:
TESA MICRO-HITE plus M
350 / 600 / 900
TESA MICRO-HITE
350 / 600 / 900
TESA-HITE
400 / 700
TESA-HITE plus M
400 / 700
TESA-HITE Magna
400 / 700

Small set of accessories for TESA height gauges



THIS NEW SET OF TESA ACCESSORIES IS A SELECTION OF THE PROBE INSERTS MOST FREQUENTLY USED BY OUR CUSTOMERS. THEY PROVIDE ALL USERS WITH A BASIC SET OF TOOLS THAT ARE COMPATIBLE WITH THE INSPECTION OF MACHINED PARTS.

BASIC SET FOR YOUR TESA HEIGHT GAUGE

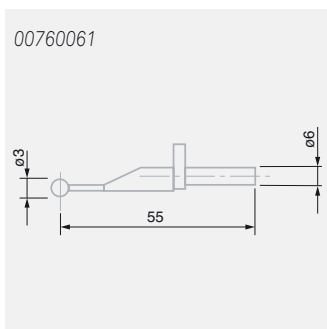
Whether you are dealing with a very small diameter, groove, centring shoulder or slot, this set of accessories will meet the requirements of most industrial situations.

It comes in a compact carrying case and can be easily transported and transferred.

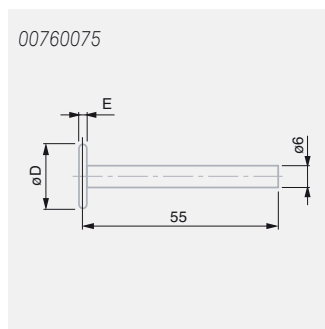


SALES PROGRAMME

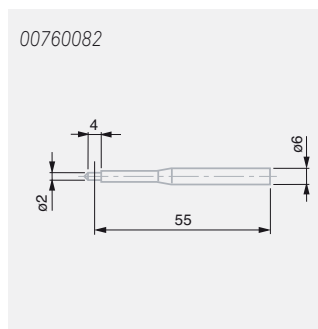
00760232	Small set of accessories
<i>Comes in a plastic case with:</i>	
00760061	Probe insert with a 3 mm dia. carbide ball tip
00760075	Probe insert with a 2 mm dia. carbide disc tip, \emptyset 2 mm, E = 2 mm, \emptyset D = 14 mm
00760082	2 mm dia. probe insert with a small cylindrical carbide face, \emptyset 2 mm
00760094	Probe insert with a hardened stainless steel shank and one flat and one spherical carbide measuring face, interchangeable shank
059215	Plastic casing



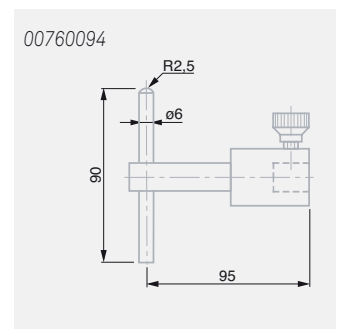
Measurement of 5 mm diameter



Measurement of a deep groove



Highest point of an intersecting line



Measurement of the vertical depth of a shoulder

WWW.TESABS.CH

TESA SA Switzerland
Bugnon 38
CH-1020 Renens
Vente Suisse
Tél. +41 (0)21 633 16 00
Fax +41 (0)21 633 17 57
tesa-ventech@hexagonmetrology.com

TESA FRANCE SAS
2, rue Antoine Lavoisier
Pôle Lavoisier – bâtiment A
F-54300 MONCEL-lès-LUNEVILLE
Tél. +33 (0)3 83 76 83 76
Fax +33 (0)3 83 74 13 16
tesa-france@hexagonmetrology.com

TESA Technology
Deutschland GmbH
Netzstraße 32
D-71638 Ludwigsburg
Tél. +49 (0)7141 8747 0
Fax +49 (0)7141 8747 88
tesa-de@hexagonmetrology.com

TESA Technology UK Ltd.
Metrology House
Halesfield 13
GB-Telford, Shrops.TF7 4PL
Tel. +44 1952 681 349
Fax +44 1952 681 391
tesa-uk@hexagonmetrology.com

TESA Technology ITALIA s.r.l.
Via Bizzozzero, 118
IT-20032 Cormano (MI)
Tel. +39 02 663 053 69
Fax +39 02 663 090 82
tesa-italia@hexagonmetrology.com

TESA Technology Ibérica
Av. de Vizcaya s/n
Apart. 202
ES-48260 Ermua
Tel. +34 943 170 340
Fax +34 943 172 092
tesa-iberica@hexagonmetrology.com

TESA Benelux
Van Elderenlaan 1
NL-5581 WJ Waalre
Tel. +31 (0)40 222 06 08
Fax +31 (0)40 222 17 16
tesa-benelux@hexagonmetrology.com

TESA SA – Bugnon 38 – CH-1020 Renens – Switzerland – Tel. +41(0)21 633 16 00 – Fax +41(0)21 635 75 35 – www.tesabs.ch – tesa-info@hexagonmetrology.com